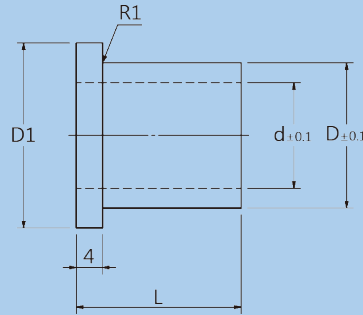
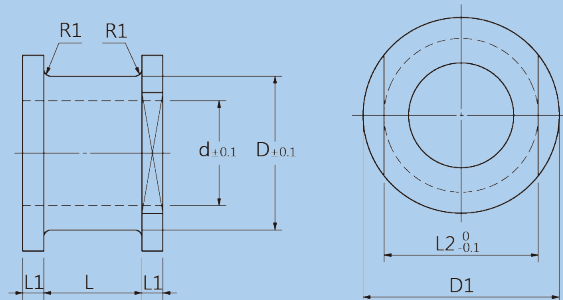


HAS033



※ Including Screws 附螺栓

HAS034



※ Including Screws 附螺栓

Type 品名	Material 材質	Surface Treatment 表面處理	Delivery 交貨日
HAS033	S45C-Body 中碳鋼-本體	Blackening-Body 染黑(黑色氧化)-本體	7 Working Days 7 個工作日
HAS034	SCM435-Screw 鉻鉬鋼-螺栓		

Type	D	L	d	D1	Width of Tension Link	Bolts
HAS033	10	16	6.5	13	19	CB 6-25
	10	24	6.5	13	19	CB 6-35
	13	16	9	16	25	CB 8-30
	13	24	9	16	25	CB 8-35
	16	16	11	19	32	CB 10-30
	16	24	11	19	32	CB 10-40
	20	16	13	23	38	CB 12-35
	20	24	13	23	38	CB 12-45

Type	D	L	d	D1	L1	L2	Width of Tension Link	Bolts
HAS034	10	11	6.5	16	3	10	19	CB 6-30
	10	18	6.5	16	4	10	19	CB 6-40
	13	11	9	19	3	13	25	CB 8-35
	13	18	9	19	4	13	25	CB 8-40
	16	11	11	22	3	16	32	CB 10-35
	16	18	11	22	4	16	32	CB 10-45
	20	11	13	26	3	20	38	CB 12-40
	20	18	13	26	4	20	38	CB 12-50

Order Ex. 訂購範例

HAS033-D-L

Alterations	追加加工名稱	Description	加工說明	Order Ex.	訂購範例
N		Bolt hole size change 螺栓孔尺寸變更		HAS033-10-16-N	
O		Sliding area length change 移動部尺寸變更		HAS033-10-16-O191 Sliding area length change to 191mm 移動部尺寸變更為191mm	