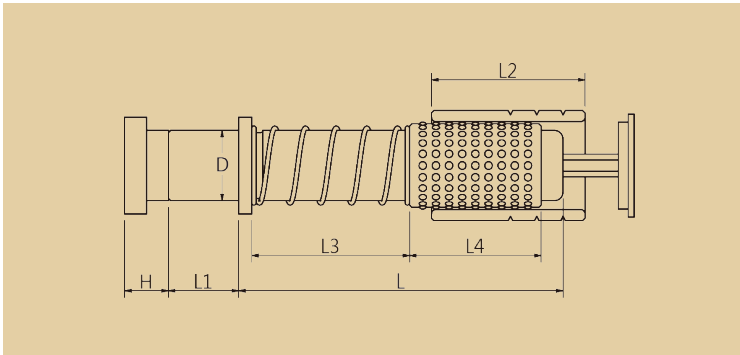


Guide Post Set for Mold-Ball Retainer Type

模架用導柱組件-鋼球型



Type 品名	Delivery 交貨日
HAS002	3 Working Days 3 個工作日

Constituent Parts 構成零件	Guide Post for Mold 模架用大導柱	Guide Bushing for Mold-Ball Retainer Type 模架用導套-鋼球型	Spring 彈簧	Stoppers for Ball Guides Movable Type 模架用滑動擋塊	Ball Retainer 鋼球襯套
	<p>HAP014 (P.000)</p>	<p>HAB016 (P.000)</p>	<p>HWA001 (P.000)</p>	<p>HAA001 (P.000)</p>	<ul style="list-style-type: none"> I HWC001(P.000) -Plastic with Max Balls 塑料密珠型 II HWC002(P.000) -Aluminium with Max Balls 鋁合金密珠型 III HAC003(P.000) -Plastic 塑料標準型 IV HAC004(P.000) -Aluminium 鋁合金標準型

Type	D	TOL.	L	L2	L3(u:10mm)	d	L1	L4	B	H
HAS002	20	+0.020 +0.015	80/90/100/110/120	50	40~140	26	15	50	5	14
	22	+0.020 +0.015	80/90/100/110/120	50/60	40~140	28	16	50/60	5	14
	25	+0.020 +0.015	80/90/100/110/120/130	60/80	40~150	31	18	60/75	6	14
	28	+0.025 +0.020	100/110/120/130/140/150/160	60/80	50~150	36	20	60/75	6	16
	32	+0.025 +0.020	120/130/140/150/160	80/100	70~190	40	23	75/90	6	16
	38	+0.030 +0.025	140/150/160/170/180	80/100	80~190	48	27	75/90	8	18
	45	+0.030 +0.025	140/150/160/170/180	100/120	80~190	55	32	90/110	8	18
50	+0.035 +0.030	160/170/180/200	100/120	80~190	60	35	90/110	8	20	

Order Ex. 訂購範例

HAS002-D-L-L2-L3-I

Alterations	追加工名稱	Description	加工說明	Order Ex.	訂購範例
A		Length change 長度尺寸變更		HAS002-20-A117-50-70-I	Length change to 117mm 長度尺寸變更為117mm

※ u=unit

Visit us : www.hdw.com.tw
Contact : headway@hdw.com.tw

模架用大導柱組件